

rock exotica

GEAR FOR THE Z AXIS

MACHINED RESCUE PULLEY 1.5"

The Machined Rescue Pulley in single sheave and double sheave raise the bar for their impressive strength, slim profile and a quality of manufacture that is second to none.

| | P22 (SINGLE) | P22 D (DOUBLE) |
|----------------|--------------|----------------|
| MBS: | 36 kN | 36 kN |
| Sheave Dia: | 1.5" | 1.5" |
| Max Rope: | 13mm | 13mm |
| Weight: | 5.0 oz | 9.1 oz |
| Type: | Bearing | Bearing |
| Certification: | CE | Pending CE |

See page 2 for full specifications



Double Rescue Pulley shown

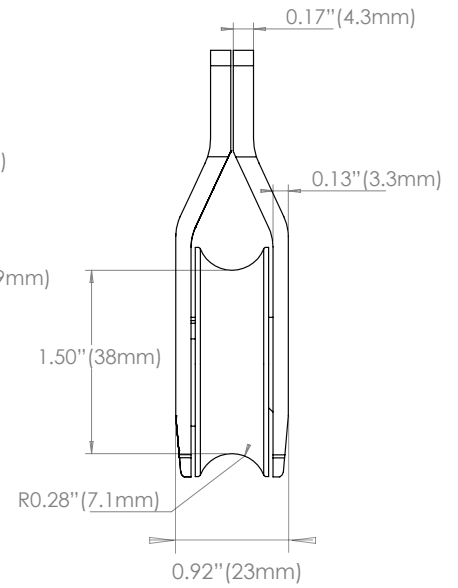
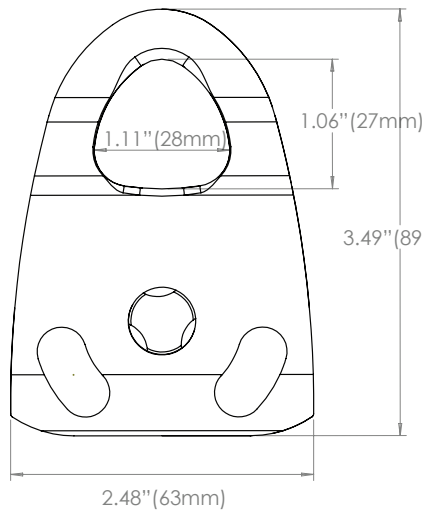
- Recessed axle screw sits flush to pulley sideplates, creating slim, snag-free profile.
- Machined—not stamped parts, create a stronger pulley, increasing its strength-to-weight ratio.
- Axle is integrated into sideplates, adding additional strength and rigidity to the pulley.
- Machined sideplates allow for a more compact design while maintaining the same rope capacity of other pulleys.

MACHINED PULLEYS — WHY THEY'RE SPECIAL



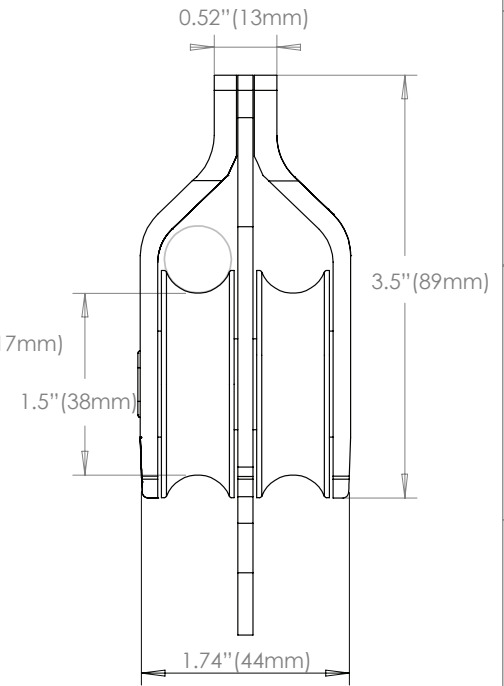
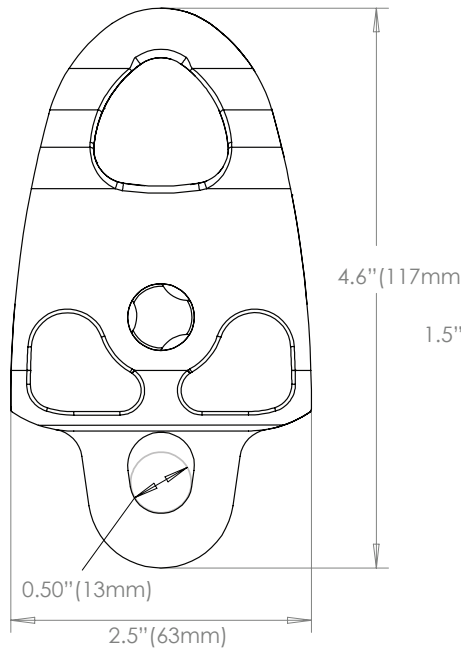
P22 - RESCUE PULLEY, SINGLE SHEAVE

| | |
|---------------------|----------------|
| MBS: | 36 kN |
| Working Load Limit: | 8kN |
| Sheave Diameter: | 1.5" (38mm) |
| Max Rope Diameter: | 13mm |
| Weight: | 5.1 oz (144gm) |
| Body Material: | Aluminum Alloy |
| Sheave Type: | Bearing |
| Sheave Material: | Aluminum Alloy |
| Width: | 2.5" (63mm) |
| Height: | 3.5" (89mm) |
| Depth: | 0.9" (23mm) |
| Certification: | CE |



P22 D - RESCUE PULLEY, DOUBLE SHEAVE

| | |
|---------------------|----------------|
| MBS: | 36 kN |
| Working Load Limit: | 8kN |
| Sheave Diameter: | 1.5" (38mm) |
| Max Rope Diameter: | 13mm |
| Weight: | 9.0 oz (254gm) |
| Body Material: | Aluminum Alloy |
| Sheave Type: | Bearing |
| Sheave Material: | Aluminum Alloy |
| Width: | 2.5" (63mm) |
| Height: | 4.6" (117mm) |
| Depth: | 1.7" (44mm) |
| Certification: | Pending CE |



OTHER VIEWS

