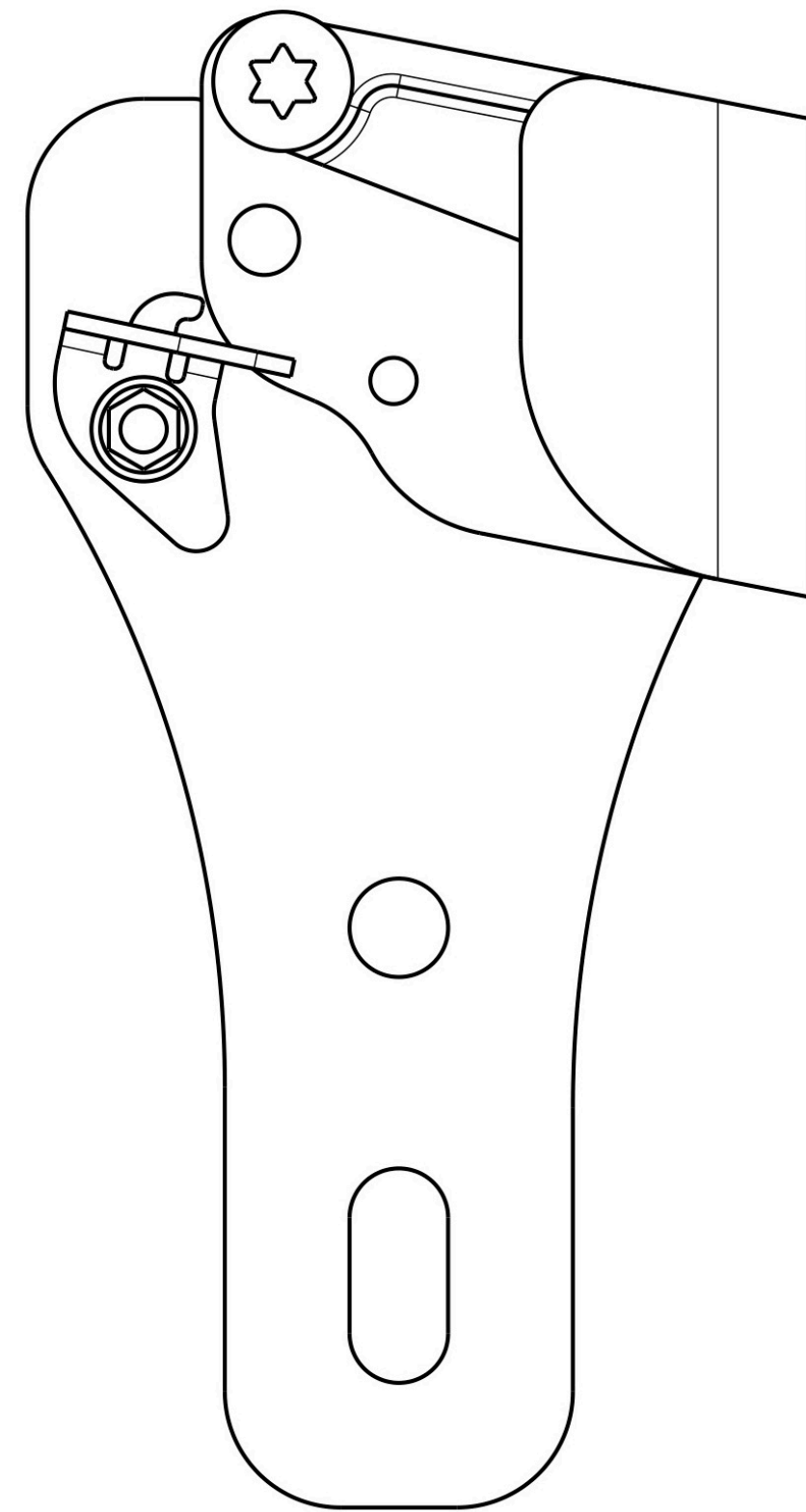


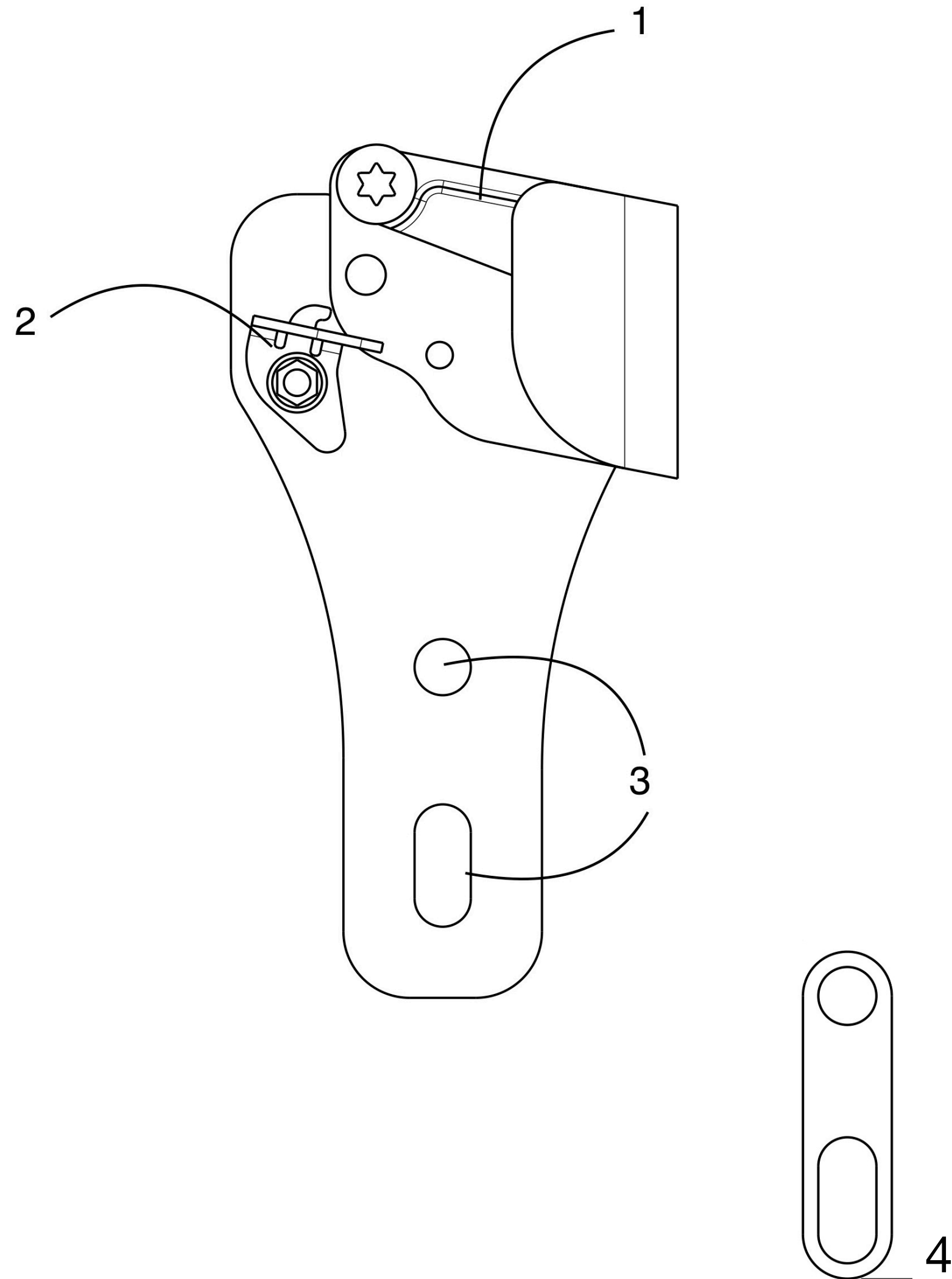
GEMINI SPURS



Spike ascender



GEMINI SPURS



Product Description and features.

This product is designed as an aid to advance on a climbing line when climbing spurs are in use

The integrated locking lever allows users to decide if they prefer to leave rope grab cam free to fully open to quick release climbing line, or limitate is possibility to move in order to avoid accidental exits.

GEMINI Spurs can be easily installed on different climbers brands. Product is provided with special spacers to be installed with Distel 'H' beam shaped shanks. Product is also supplied with longer screws to replace original ones in order to fit the device correctly (detailed informations and drawings displayed on user's manual supplied with product)

Warning! This product is not a PPE - not intended for life support

Components:

- #1 Rope grab cam
- #2 Locking lever
- #3 Mounting holes
- #4 Spacer

Made in Italy