



1



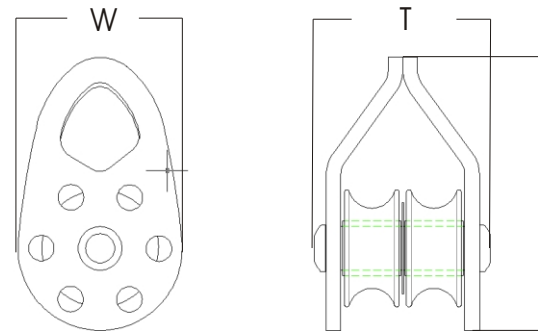
2



3

RP031 > SMALL DOUBLE RE-DIRECT
COLOUR OPTION AVAILABLE.

ISC MANUFACTURES AN EXTENSIVE RANGE OF ALUMINIUM PULLEYS, FOR USE ON 10MM -16MM ROPE. ALL ALUMINIUM PULLEYS CONFORM TO RELEVANT EUROPEAN AND ANSI STANDARDS.



DIMENSIONS >
LENGTH > 82MM
WIDTH > 58MM
THICKNESS > 30MM
ROPE SIZE > 12MM

MATERIAL > HIGH STRENGTH ALUMINIUM ALLOY,
ROPE SIZE > 12MM
MINIMUM BREAKING LOAD > 22KN
APPROVED STANDARDS > BS EN 12278
FINISH > ANODISED RED
QUALITY > 100% INSPECTED
WEIGHT > 122G