

NOTCH Gecko ALUMINUM

IMPORTANT SAFETY INFORMATION FOR USERS OF GECKO® ALUMINUM CLIMBERS AND ACCESSORIES

WARNING!

Failure to observe the following information could endanger user's life! Read all information carefully before use. Special training is essential before using climbing spurs. Activities at height are dangerous and can lead to severe injury or death. User assumes all risks and responsibility for property damage, personal injury or death which may occur during use of this product. If user is not able or in a position to assume this responsibility or to take this risk, do not use this product.

This information is intended for the user of the products indicated. If must be included with the product, read and understood by the user prior to placing this product into service. This equipment is to be used by properly trained, professional workers. The information in this manual, manufacturer's demonstrations, sales seminars, catalog information or other promotional materials may be a part of but do not constitute proper or complete training in the use of these products.

The user must inspect this equipment before each use. Any equipment found to be worn out, damaged, subject to shock loading or in any way questionable, must immediately be removed from service. Specific guidelines for inspection are included in this manual.

ELECTRICAL HAZARD!

Do not use near energized power lines, as these climbers are conductive! Don't use climbers if there are deformations of the shank, gaffs or mountings. When climbers are NOT IN USE, always apply gaff protectors.

This product is designed for climbing wooden poles and trees and must only be used together with a harness, lanyard and overhead life support line.

GENERAL INFORMATION

Only competent and responsible persons or those placed under direct and visual control of a competent and responsible person or instructor should use climbers. It is up to the user to foresee situations that may require rescue in case of difficulties encountered while using climbers. Obtaining training in appropriate climbing techniques and methods of safety is user's responsibility. User is responsible for confirming that this product is compatible with the other components of user's climbing system.

Tree climbers and gaffs are not guaranteed to hold safely within wood. Restraint from a fall can only result from the active use of a safety lanyard and overhead line.

Do not drop the climbers from height. Climbers that have fallen from height may have visible or non-visible damage to the upper shell, the shank, gaffs and mountings. Climbers, which are damaged or dropped, should be disposed of properly. Follow all relevant standards, safety instructions and laws issued by the appropriate authorities and professional associations.

TEMPERATURE

Use this product above a minimum of -15°C (5°F) and below a maximum of +50°C (122°F)

USER WEIGHT

This product is limited to be used by a person with maximum weight of 350 pounds when fully equipped.

ASSEMBLY INSTRUCTION

Gecko Aluminum climbers are manufactured in accordance to the ASTM F887 standard with height adjustment range of 14 ¾ inches (minimum) to 19.5 inches (maximum) by increments of 1/4 inch.

For maximum comfort, performance and safety, climber height must be adjusted prior to initial use.

- Attach lower straps to the lower strap ring so that the buckle portion of strap is facing forward

SIZE ADJUSTMENT (Fig 1)

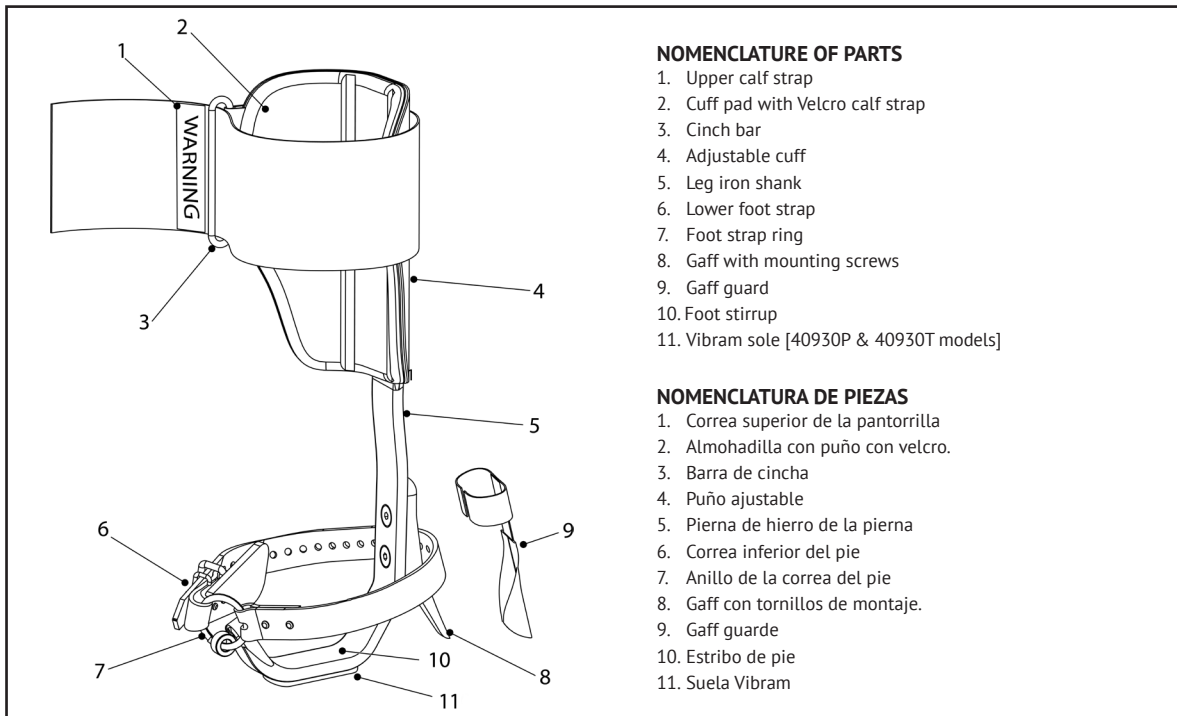
- Release the cuff pad from the fiberglass cuff exposing two hardware screws.
- Using the provided hex wrench release and remove the screws freeing the cuff to move up or down.
- Using your standard footwear place the foot in the leg iron stirrup and secure the lower leg straps around the foot.
- Slide the cuff up or down along the leg iron until the upper edge of the cuff lies approximately 1 ¾ in (4.4cm) below the knee. Mark the designated height.
- Holding the cuff in place install one of the screws, recheck the adjustment and install the second screw.
- Reposition the cuff pad securely inside the cuff.
- To check adjustment, bend knee in 90 deg angle, cuff should be as high as possible on the shin without interfering with the bending of the leg.
- Repeat with second climber.

Do not bend, cut, drill or otherwise modify the climbers. Anyone altering this product assumes all risk of use.

OPERATING INSTRUCTION

Climbers should be worn with appropriate work footwear with sufficiently strong shanks in the sole portion of the boots.

- If not installed, install lower foot straps with split ring.
- Select right or left climber identified by markings on the leg iron shank and cuff pad.
- Step into the climber and attach lower strap securely to your footwear.
- Pull the end of the strap tongue firmly through the buckle and secure.



NOMENCLATURE OF PARTS

- Upper calf strap
- Cuff pad with Velcro calf strap
- Cinch bar
- Adjustable cuff
- Leg iron shank
- Lower foot strap
- Foot strap ring
- Gaff with mounting screws
- Gaff guard
- Foot stirrup
- Vibram sole [40930P & 40930T models]

NOMENCLATURA DE PIEZAS

- Correa superior de la pantorrilla
- Almohadilla con puño con velcro.
- Barra de cincha
- Puño ajustable
- Pierna de hierro de la pierna
- Correa inferior del pie
- Anillo de la correa del pie
- Gaff con tornillos de montaje.
- Gaff guarde
- Estribo de pie
- Suela Vibram

GAFF GAUGE

- Slot length and thickness 1" from tip, pole gaffs only
- Slot length and thickness ½" from tip, pole gaffs only
- Slot to measure stirrup width
- Slot length and width ½" from tip
- Slot length and width 1" from tip
- Gaff cutting edge V slot
- Aluminum stirrup thickness slot
- Gaff tip radius gauge
- Length limit for 1" length, thickness and width
- Length limit for ½" length, thickness and width

GAFF GAUGE

- Longitud de la ranura y grueso 1 "desde la punta, solo polos
- Longitud y grueso de la ranura ½ "desde la punta, solo polos
- Ranura para medir el ancho del estribo.
- Longitud y ancho de la ranura ½ "desde la punta
- Longitud de la ranura y ancho 1 "desde la punta
- Ranura en V de corte Gaff
- Ranura de espesor de estribo de aluminio
- Medidor de radio de punta de Gaff
- Límite de longitud para 1 "longitud, grueso y ancho
- Límite de longitud para ½ "longitud, grueso y ancho

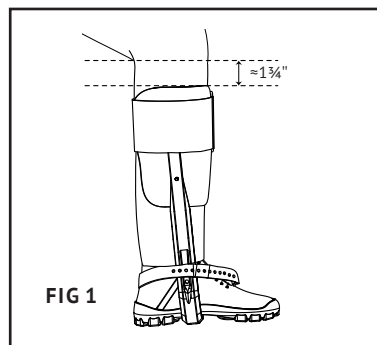
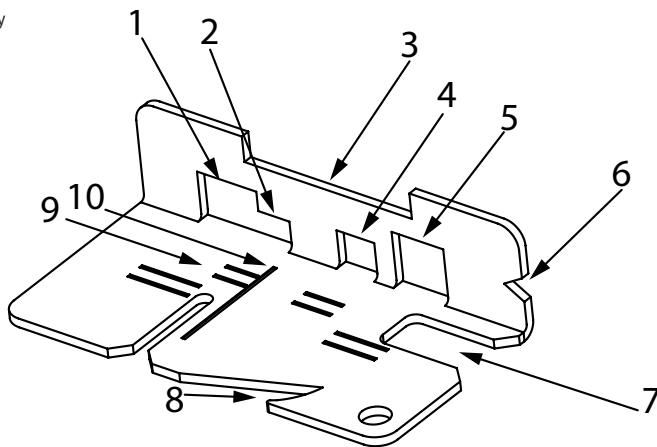


FIG 1

- Feed the free end of the upper Velcro strap through the cinch bar.
- Pull the strap until the cuff is firmly resting against your shin.
- Secure the free end around the cuff & leg, ensuring full connection of the hook to the loop.

WARNING (Fig 2)

Be certain the "Red Minimum Wrap Location" indicator on the upper strap has passed through the cinch bar. This will ensure the minimum amount of Velcro overlap to properly secure the cuff & pad to your leg. Failure to achieve this minimum overlap may result in serious injury or death.

Check the security of the climber and cuff by taking few steps on the ground prior to ascension. Always climb with protective gloves, safety glasses, helmet with face protector, long sleeved protective clothing and protective boots. Always use a positioning lanyard around the climbing pole or tree and an overhead lifeline. Step each foot into the climbers with gaffs on the instep side of the foot. The longest curvature of the cuff designates the front of each climber. Pull both lower and upper straps tight. Before climbing, remove gaff guards. Always climb in small steps to maximize efficiently and minimize the risk of cut-out. During potential cutout, use a lanyard as a brake against descending by pulling it tight against your body. Guard against anything, which could block action of the buckles or the action of the gaffs (i. e. loose bark). Always be sure that gaffs are in a safely anchored position before taking the additional steps or before working.

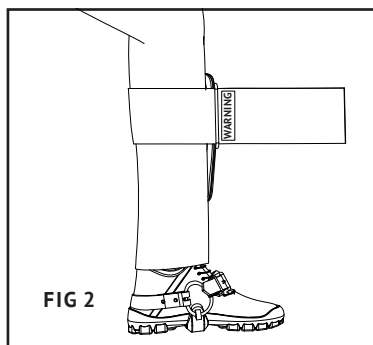


FIG 2

GAFF INSPECTION

Climbers (pole and tree) must have properly shaped gaffs. Use the provided gaff gauge to perform gaff inspection prior to each climb.

Esta información está destinada al usuario de los productos indicados. Si debe ser incluido con el producto, leído y comprendido por el usuario antes de poner este producto en servicio. Este equipo debe ser utilizado por trabajadores profesionales debidamente capacitados. La información contenida en este manual, del fabricante. Demostraciones, seminarios de ventas, información del catálogo y otros materiales promocionales pueden ser parte de, pero no constituyen una formación adecuada o completa en el uso de estos productos.

El usuario debe inspeccionar este equipo antes de cada uso. Cualquier equipo que se encuentre desgastado, dañado, sujeto a carga de choque o de alguna manera cuestionable, debe ser inmediatamente retirado del servicio. Especifico pautas para la inspección se incluyen en este manual.

¡PELIGRO DE ELECTRICIDAD!

¡No lo use cerca de líneas eléctricas energizadas, ya que estos escaladores son conductores! No uses escaladores si hay deformaciones del espinilla, garfios o montajes. Cuando los escaladores NO ESTAN EN USO, siempre aplique las gafas protectoras.

Este producto está diseñado para la escalada de postes de madera y los árboles y sólo debe ser utilizados junto con una línea de arnés, cordón y soporte aéreo.

INFORMACIÓN GENERAL

Sólo personas competentes y responsables o aquellas bajo control directo y visual de una autoridad competente y la persona responsable o instructor debe usar escaladores. Depende del usuario prever las situaciones, eso puede requerir rescate en caso de dificultades encontradas durante el uso de escaladores. Obteniendo entendimiento en técnicas apropiadas de escalada y métodos de seguridad es responsabilidad del usuario. El usuario es responsable de confirmar que este producto es compatible con los otros componentes del sistema de escalada del usuario.

Escaladores de árboles y garfios no están garantizados para sostener con seguridad dentro de la madera. La restricción de una caída sólo puede resultado del uso activo de un cordón de seguridad y línea sobre la cabeza.

No dejes caer a los escaladores de altura. Escaladores que han caído de altura pueden tener visi-

bles o daños no visibles en la cubierta superior, la espinilla, gafas y montajes. Los escaladores, que están dañados o caído, deben ser eliminados adecuadamente. Seguir todas las normas relevantes, instrucciones de seguridad y leyes leído por las autoridades competentes y asociaciones profesionales.

TEMPERATURA

Use este producto por encima de un mínimo de -15 ° C (5°F) y por debajo de un máximo de + 50 ° C (122°F).

PESO DEL USUARIO

Este producto está limitado para ser utilizado por una persona con Peso máximo de 350 libras cuando está completamente equipado.

INSTRUCCIONES DE ENSAMBLAJE

Los escaladores de aluminio Gecko se fabrican de acuerdo con a la norma ASTM F887 con altura de rango de ajuste de 14 ¾ pulgadas (mínimo) a 19.5 pulgadas (máximo) por incrementos de 1/4 de pulgada.

Para el máximo confort, rendimiento y seguridad, escalador. La altura debe ajustarse antes del uso inicial.

- Fije las correas inferiores al anillo de la correa inferior para que la parte de la hebilla de la correa mira hacia adelante

AJUSTE DE TAMAÑO (Fig. 1)

- Suelte la almohadilla del brazalete del brazalete de fibra de vidrio exponiendo dos tornillos de hardware
- Utilizando el destornillador hexagonal suministrado y retire los tornillos liberando el manguito para subir o hacia abajo
- Utilizando su calzado estándar coloque el pie en el estribo de hierro de la pierna y asegure las correas de la pierna inferior alrededor del pie
- Deslice el brazalete hacia arriba o hacia abajo a lo largo de la pierna de hierro hasta que el borde superior del brazalete quede aproximadamente 1 ¾ in (4.4cm) debajo de la rodilla. Marca la designada altura
- Sosteniendo el brazalete en su lugar, instale uno de los tornillos, vuelva a verificar ajustar e instalar el segundo tornillo
- Vuelva a colocar la almohadilla del brazalete firmemente dentro del brazalete
- Para verificar el ajuste, doble la rodilla en un ángulo de 90 grados, el manguito debe estar lo más alto posible en la espinilla sin interferir con la flexión de la pierna
- Repetir con el segundo escalador

No doble, corte, taladre ni modifique de otro modo los escaladores. Cualquiera que altere este producto asume todos riesgos de uso.

INSTRUCCIONES DE OPERACION

Los escaladores deben ser usados con el trabajo apropiado calzado con cañas suficientemente fuertes en la suela porción de las botas.

- Si no está instalado, instale las correas inferiores del pie con anillo partido
- Seleccionar escalador derecho o izquierdo identificado por marcas en la pierna vástago de hierro y almohadilla del manguito
- Entra en el escalador y coloca la correa inferior de forma segura a su calzado
- Tire del extremo de la lengüeta de la correa firmemente a través de la hebilla y seguro
- Alimente el extremo libre de la correa superior de velcro, aunque el bar cinch
- Tire de la correa hasta que el brazalete esté firmemente apoyado contra tu espinilla
- Asegure el extremo libre alrededor del manguito y la pierna, asegurando la conexión completa del gancho al bucle

ADVERTENCIA (Fig. 2)

Asegúrese de que el indicador de "Ubicación mínima de envoltura roja" en la correa superior ha pasado a través de la cincha bar. Esto asegurará la mínima cantidad de velcro traslape para asegurar adecuadamente el manguito y la almohadilla a su pierna. El incumplimiento de este mínimo solapamiento puede resultar en lesiones graves o muerte.

Compruebe la seguridad del escalador y del manguito tomando pocos pasos en el suelo antes de la ascensión. Siempre subir con guantes protectores, gafas de seguridad, casco con protector facial, ropa protectora de manga larga y botas protectoras. Siempre use un cordón de posicionamiento alrededor del palo o árbol de escalada y una sobrecarga línea de vida. Paso cada pie en los escaladores con Gaffs en el lado del empeine del pie. La curvatura más larga. El brazalete designa el frente de cada escalador tire de las correas inferiores y superiores firmemente. antes de escalada, quitar los guardias de gaff. Siempre escalar en pequeños pasos para maximizar eficientemente y minimizar el riesgo de recorte. Durante el posible recorte, use un cordón como un freno contra el descenso tirando de él contra tu cuerpo. Guarda contra cualquier cosa, lo que podría bloquear la acción de las hebillas o la acción de los garfios (i. e. corteza suelta). Siempre asegúrese de que los errores estén en un lugar seguro Posición anclada antes de dar los pasos adicionales o antes de trabajar.

INSPECCION DE GAFF

Los escaladores (palo y árbol) deben tener la forma adecuada gaffs. Utilice el calibre de garfios proporcionado para realizar garfios. Inspección previa a cada subida.

ESP

INFORMACION DE SEGURIDAD IMPORTANTE PARA USUARIOS DE CARBONO GECKO ESCALADORES Y ACCESORIOS DE FIBRA

¡ADVERTENCIA!

¡El incumplimiento de la siguiente información podría poner en peligro la vida del usuario! Lea toda la información cuidadosamente antes de usar. El entendimiento especial y esencial antes de utilizar espuelas de escalada. Las actividades en altura son peligrosas y puede provocar lesiones graves o la muerte. Usuario asume todos los riesgos y la responsabilidad de la propiedad de daños, lesiones personales o muerte que puedan ocurrir durante el uso de este producto. Si el usuario no puede o en una posición para asumir esta responsabilidad o para tomar este riesgo, no utilice este producto.

LENGTH AND THICKNESS 1 INCH

[POLE ONLY] (Fig 3)

Insert the gaff into "1" slot to check the length and thickness of the gaff, the tip of the gaff should fall between the 1-inch lines on the gauge. If it fails the range it must be replaced.

LENGTH AND THICKNESS ½ INCH

[POLE ONLY] (Fig 4)

Insert the gaff into "2" slot to check the length and thickness of the gaff, the tip of the gaff should fall between the ½-inch lines on the gauge. If it fails the range it must be replaced.

LENGTH AND WIDTH 1 INCH (Fig 5)

Insert the gaff into "4" slot to check the length and thickness of the gaff, the tip of the gaff should fall between the 1-inch lines on the gauge. If it fails the range it must be replaced.

LENGTH AND WIDTH ½ INCH (Fig 6)

Insert the gaff into the gauge opening "5" as far as possible. Ensure the gaff is lying flat against the gauge. The point of the gaff should fall between the end of the gauge and the first line. If it extends over the edge, replace it. If it falls short, shape the gaff. Continue the inspection by placing the gaff tip into location "5" until it reaches within the line tolerance.

GAFF TIP RADIUS (Fig 7)

Insert the radius tip into the "8" gaff tip radius slot, the ¼ radius of the gaff tip should closely fit the profile of the gauge. The gaff profile should follow the gauge outline to match tip roundness, if not the gaff should be re-shaped or replaced.

CUTTING EDGE (Fig 8)

Insert the tip into the "6" gaff cutting edge V slot. From the tip of the gaff to ¼ inch, only the cutting edge should touch the side of the V slot. If the tip does not match the shape of the notch it should be re-shaped or replaced.

GAFF LENGTH (Fig 9)

To check the gaff length, place the flat side, the underside of the gaff against the gauge, the gaff [Pole] gauge must extend beyond the line. Note any pole gaff measuring less than 1 ¼ inch must be taken out of service.

STIRRUP THICKNESS AND WIDTH

Both the thickness and width of the stirrup must be inspected regularly to ensure proper working condition. (Fig 10) Inspect the Aluminum Stirrup as shown using the gauge in this orientation. (Fig 11) The width of the stirrup must also be inspected, the stirrup width should not fit into the designated width slot, if the stirrup fit into the slot, the climber should be retired and replaced immediately. Climbers 40930P&T must maintain 7/16" stirrup thickness as measured in the center NOT including Vibram sole.

GAFF SHARPENING

- Never grind gaffs using a powered tool, only manually sharpen gaff with a flat file.
- Secure climber tightly into a vise (recommendation: wrap climber with protective material to prevent scratching) with gaff underside exposed.
- Using a 6-inch flat mill file along the surface of the gaff starting at the heel and draw towards the tip.
- Do not cross file.
- Keep file fat on the gaff and clean file frequently.
- Never file gaff tip to needlepoint. An improperly sharpened gaff can cause cut-out, a fall, and serious injury or death.
- When complete perform the Plane & Pole Cut out Test.

PLANE TEST ACCORDING TO ASTM F887 (Fig 12 & 13)

This test may be used to determine that the gaff is correctly shaped and sharpened to properly penetrate the pole. Place the climber on a flat, soft pine or cedar board. Holding it upright with the shank parallel to the board surface, but with no pressure on the stirrup, push the climber forward along the board as shown in figure below. If the gaff is properly shaped and sharpened and if the gaff angle with the wood is sufficient, the gaff point will dig into the wood and begin to hold within a distance of approximately 1 in. (2.54 cm). If the climber gaff slides along the wood without digging in, or merely leaves a mark or groove in the wood as shown in figure below, the gaff is either not properly sharpened and shaped or the gaff angle is too small. The gaff angle is built into the climber by the manufacturer and should be between 11 and 17 degrees with the climber placed parallel to the surface of the wood.

POLE CUT OUT TEST ACCORDING TO ASTM F887 (Fig 14 & 15)

This test shall be performed on a section of a treated pole in an area that is free from knots and checks. Place the climber on your leg holding the sleeve with your hand. With your leg at an approximate 30° angle to the pole and your foot about 12 in. (30.5 cm) off the ground. Lightly jab the gaff into the pole to a depth of approximately 1/4 in. (6.4 mm). Keep enough pressure on the stirrup to keep the gaff in the pole but not so much as to cause the gaff to penetrate any deeper. See figure below. Push the climber and your hand closer to the pole by moving your knee until the strap loop of the climber sleeve is against the pole. Make certain the strap loop is held against the pole with pressure from your leg. Gradually exert full pressure of your foot straight down on the stirrup without raising your other foot off the floor or ground, so as to maintain balance if the gaff does not hold. See figure below. The tip of the gaff shall cut into the wood and hold (dig itself in) in a distance of not more than 2 in. (5.1 cm), measured from the point of gaff entry into the pole to the bottom of the cut on the pole surface.

GAFF REPLACEMENT

Prior to changing gaffs please completely read the instructions

REMOVAL

- Secure climber tightly into a vise (recommendation: wrap climber with protective material to prevent scratching) with gaff screw heads facing up.
- Using a T40 Torx bit or socket turn the gaff screw counterclockwise.
- If the screw is too tight and unable to move, use a hair dryer to heat up the gaff. Heating will aid to loosen the Loctite adhesive.
- Remove both screws completely from the gaff.

INSTALLATION

- Locate new gaffs and hardware.
- Mount the new gaffs ONLY using the 20mm & 25mm provided screws.
- Use 20mm length for top hole and 25mm for bottom hole.
- Using T40 bit or socket turn the gaff screw clockwise, do not overtighten.
- If available use a torque wrench to set torque of 18.5 lb./ft.

MAINTENANCE TIP

- Tree sap is very corrosive, to prevent tip corrosion clean and oil gaffs after each use.

STORAGE

Store the climbers in a dry and cool place. If the climbers are wet, dry them immediately. Do not dry near heat or fire.

LIFE SPAN

The life span of the climbers depends on application conditions and other factors. It is known, that equipment deteriorates progressively with use. It is difficult

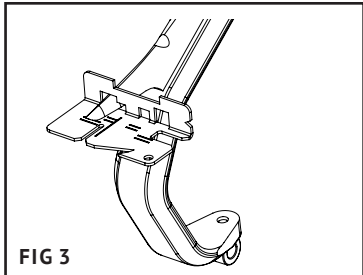


FIG 3

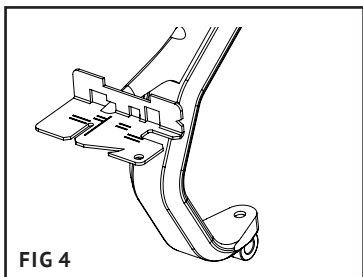


FIG 4

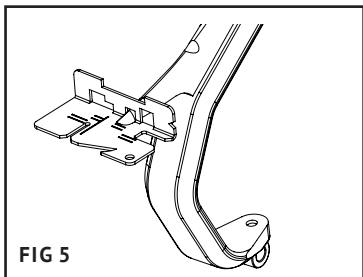


FIG 5

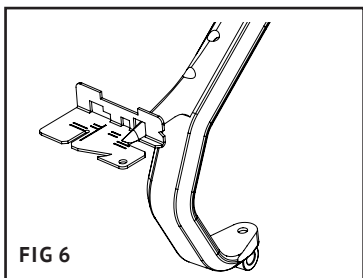


FIG 6

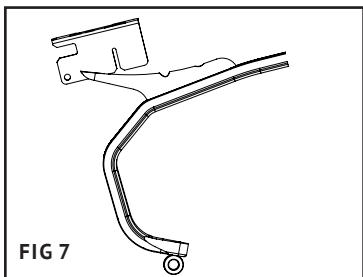


FIG 7

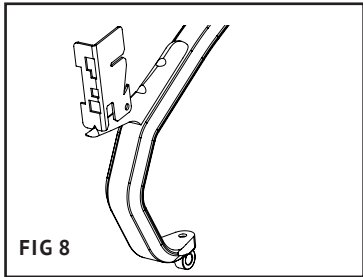


FIG 8

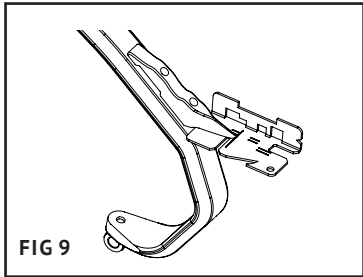


FIG 9

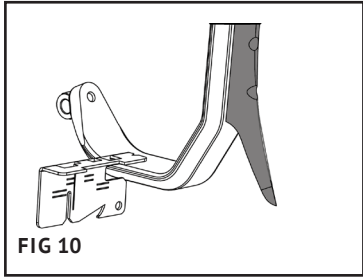


FIG 10

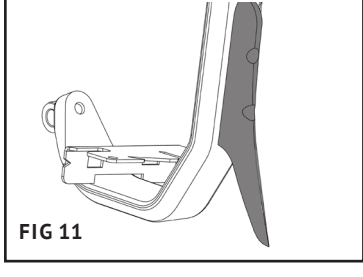


FIG 11

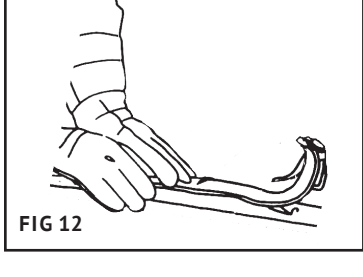


FIG 12

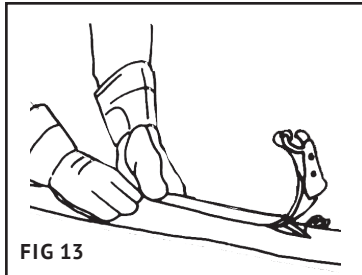


FIG 13

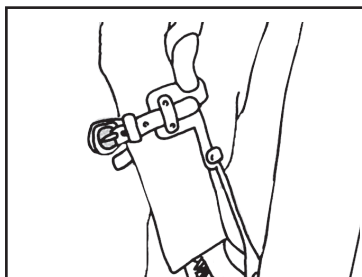


FIG 14

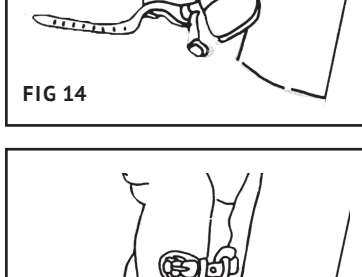


FIG 15

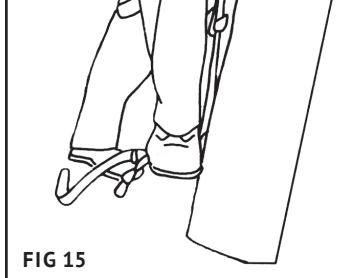
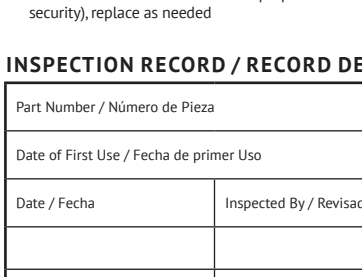
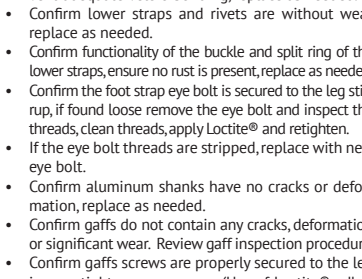
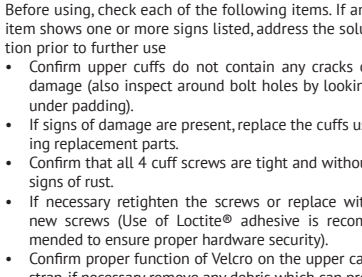
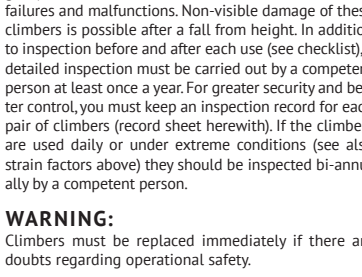
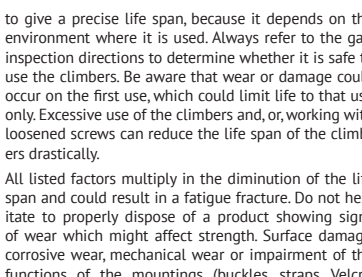


FIG 15



ESP

LONGITUD Y ESPESOR DE 1 PULGADA [SÓLO POSTE] (Fig. 3)

Inserte el garfio en la ranura "1" para verificar la longitud y grueso del garfio, la punta del garfio debe caer entre las líneas de 1 pulgada en el medidor. Si falla el rango debe ser reemplazado.

LONGITUD Y ESPESOR ½ PULGADA [SÓLO POSTE] (Fig. 4)

Inserte el garfio en la ranura "2" para verificar la longitud y grueso del garfio, la punta del garfio debe caer entre las líneas de ½ pulgada en el medidor. Si falla el rango debe ser reemplazado.

LONGITUD Y ANCHO 1 PULGADA (Fig. 5)

Inserte el garfio en la ranura "4" para verificar la longitud y grueso del garfio, la punta del garfio debe caer entre las líneas de 1 pulgada en el medidor. Si falla el rango debe ser reemplazado.

LONGITUD Y ANCHO ½ PULGADA (Fig. 6)

Inserte el garfio en la abertura del calibre "5" hasta posible. Asegúrese de que la horquilla quede plana contra el manómetro. El punto del garfio debe caer entre el final del ancho de vía y la primera línea. Si se extiende sobre el borde, reemplázalo. Si se queda corto, dale forma al garfio. Continuar la inspección colocando la punta de garfio en la ubicación "5" hasta alcanza dentro de la línea tolerancia.

RADION DE LA PUNTA DEL GAFF (Fig. 7)

Inserte la punta del radio en la ranura del radio de la punta de garfios "8"; la ¼ de radio de la punta de garfio debe ajustarse estrechamente al perfil de la medida. El perfil de garfio debe seguir el indicador esquema para que coincida con la redondez de la punta, si no es el gaff debe ser remodelado o reemplazado.

CORTE DE BORDE (Fig. 8)

Ensarte la punta en la ranura en V del borde de corte "6". Desde la punta del garfio hasta ¼ de pulgada, solo el borde de corte debe tocar el lado de la ranura en V. Si la punta no coincide con la forma de el corte, debe volver a formarse o reemplazarse.

LONGITUD DE GAFF (Fig. 9)

Para verificar la longitud del garfio, coloque el lado plano, la parte inferior del garfio contra el calibre, el calibre del [Pole] debe extenderse más allá de la línea. Tenga en cuenta que cualquier garfio de palo que mida menos de 1 ¼ de pulgada debe sacarse de servicio.

STIRRUP ESPESOR Y ANCHO

Tanto lo grueso como el ancho del estribo deben inspeccionarse regularmente para garantizar que funcionen correctamente. (Fig. 10) Inspeccione el estribo de aluminio como se muestra usando el medidor en esta orientación. (Fig. 11) El ancho del estribo también debe ser inspeccionado, el ancho del estribo no debe encajar en la ranura de ancho designado, si el estribo encaja en la ranura, el escalador debe retirarse y reemplazarse inmediatamente. Los escaladores 40930P & T deben mantener el estribo lo grueso de 7/16", medido en el centro, NO incluye la suela Vibram.

GAFF SHARPENING

- Nunca triture los garfios con una herramienta motorizada, solo afile manualmente los garfios con una lima plana.
- Sujete firmemente al escalador en un tornillo de banco (recomendación: envuelva al escalador con material protector para evitar que se raye) con la parte inferior de gaff expuesta.
- Utilice una lima de fresado plano de 6 pulgadas a lo largo de la superficie del garfio, comenzando por el talón y dibujando hacia la punta.
- No cruce limas.
- Mantenga la grasa del archivo en el gaff y limpie el archivo con frecuencia.
- Nunca lime la punta de garfio a la aguja. Un garfio mal afilado puede provocar un corte, una caída y lesiones graves o la muerte.
- Cuando termine, realice la prueba de corte de plano y poste.

PRUEBA DE AVIÓN SEGÚN A ASTM F887 (Fig. 12 y 13)

Esta prueba se puede usar para determinar que el garfio está correctamente moldeado y afilado para penetrar adecuadamente en el poste. Coloque el trepador en una tabla de pino blando o cedro. Manteniéndolo en posición vertical con el vástago paralelo a la superficie del tablero, pero sin presionar el estribo, empuje el escalador hacia adelante a lo largo del tablero como se muestra en la siguiente figura. Si el garfio está correctamente moldeado y afilado y si el ángulo del garfio con la madera es suficiente, el punto de garfio se clavará en la madera y comenzará a sostenerse a una distancia de aproximadamente 1 pulgada (2,54 cm). Si el garfio trepador se desliza a lo largo de la madera sin clavar, o simplemente deja una marca o ranura en la madera, como se muestra en la figura a continuación, el garfio no está bien afilado y con forma o el ángulo del garfio es demasiado pequeño. El ángulo del garfio está integrado en el escalador por el fabricante y debe estar entre 11 y 17 grados con el escalador colocado paralelo a la superficie de la madera.

PRUEBA DE CORTE FUERA DE ACUERDO CON ASTM F887 (Fig. 14 y 15)

Esta prueba se realizará en una sección de un poste tratado en un área libre de nudos y chequeos. Coloque

el escalador en su pierna sosteniendo la manga con su mano. Con tu pierna en un aproximado un ángulo de 30 ° al poste y tu pie a aproximadamente 12 pulgadas (30,5 cm) del suelo. Ligeramente jale el garfio en el poste a una profundidad de aproximadamente 1/4 pulgada (6,4 mm). Mantenga suficiente presión sobre el estribo para mantener el garfio en el poste, pero no tanto como para hacer que el garfio penetre más profundo. Vea la figura abajo. Empuje el escalador y su mano más cerca hacia el poste moviendo la rodilla hasta que el lazo de la correa de la manga trepadora está contra el palo. Asegúrese de que el lazo de la correa se mantenga contra el palo con presión de tu pierna. Poco a poco ejerza la presión total de su pie hacia abajo sobre el estribo sin levantar el otro pie del piso o suelo, para mantener el equilibrio si el garfio no aguanta. Vea la figura abajo. La punta del garfio cortará la madera y sostendrá (clavar en) a una distancia de no más de 2 pulgadas (5.1 cm), medida desde el punto de falla entrada en el poste a la parte inferior del corte en la superficie.

REEMPLAZO DE GAFF

Antes de cambiar los errores, lea completamente las instrucciones.

ELIMINACIÓN

- Asegure firmemente al escalador en un tornillo de banco (recomendación: envuelva al escalador con material protector para evitar que se raye) con las cabezas de tornillo de garfio hacia arriba.
- Con una broca T40 Torx o un zócalo, gire el tornillo de garfio hacia la izquierda.
- Si el tornillo está demasiado apretado y no se puede mover, use un secador de pelo para calentar la horquilla. El calentamiento ayudará a aflojar el adhesivo Loctite.
- Retire ambos tornillos completamente de la horquilla.

INSTALACIÓN

- Localiza nuevos gaffs y hardware.
- Monte los nuevos garfios SOLAMENTE utilizando los tornillos provistos de 20 mm y 25 mm
- Utilice una longitud de 20 mm para el orificio superior y 25 mm para orificio de abajo.
- Usando la broca T40 o el zócalo, gire el tornillo de garfio en sentido horario, no apriete demasiado.
- Si está disponible, use una llave dinamométrica para configurar un torque de 18.5 lb./ft.

CONSEJO DE MANTENIMIENTO

- La savia del árbol es muy corrosiva, para evitar la corrosión de la punta y limpiar los restos de aceite después de cada uso.

ALMACENAMIENTO

Almacenar los escaladores en un lugar seco y fresco. Si los escaladores están mojados, séquelos inmediatamente. No secar cerca del calor o fuego.

ESPERANZA DE VIDA

La vida útil de los escaladores depende de las condiciones de aplicación y otros factores. Se sabe, que el equipo se deteriora progresivamente con el uso. Es difícil dar una vida útil precisa, ya que depende del entorno donde se usa. Siempre consulte las instrucciones de inspección de errores para determinar si es seguro usar los escaladores. Tenga en cuenta que el primer uso puede causar desgaste o daños, lo que podría limitar la vida útil únicamente para ese uso. El uso excesivo de los escaladores y, o el trabajo con tornillos aflojados, puede reducir drásticamente la vida útil de los escaladores.

Todos los factores enumerados se multiplican en la disminución de la vida útil y pueden resultar en una fractura por fatiga. No dude en deshacerse de un producto que muestre signos de desgaste que pueda afectar la resistencia. Deben observarse daños en la superficie, desgaste corrosivo, desgaste mecánico o deterioro de las funciones de los montajes (hebillas, correas, velcro, trabas). No utilice escaladores con tales fallas mal funcionamiento. Daños no visibles de estos escaladores es posible después de una caída desde la altura. Además de la inspección antes y después de cada uso (ver lista de verificación), una persona competente debe realizar una inspección detallada al menos una vez al año. Para mayor seguridad y mejor control, debe mantener un registro de inspección para cada par de escaladores (hoja de registro adjunta). Si los escaladores se utilizan diariamente o en condiciones extremas (consulte también los factores de tensión anteriores), una persona competente debe inspeccionarlos cada dos años.

ADVERTENCIA:

Los escaladores deben ser reemplazados inmediatamente si hay dudas con respecto a la seguridad operacional.

LISTA DE VERIFICACIÓN DE INSPECCIÓN

Antes de usar, revise cada uno de los siguientes artículos. Si alguno de los elementos muestra uno o más signos enumerados, dirija la solución antes de seguir utilizándolos.

- Confirme que los puños superiores no tengan grietas ni daños (también inspeccione alrededor de los orificios de los pernos mirando debajo del relleno).
- Si hay signos de daño, reemplace los puños utilizando piezas de repuesto.
- Confirme que los 4 tornillos de puño estén apretados y sin signos de óxido.
- Si es necesario, vuelva a apretar los tornillos o reemplácelos con tornillos nuevos (se recomienda el uso de adhesivo Loctite para garantizar la seguridad adecuada del hardware).
- Confirme el correcto funcionamiento del Velcro en la correa superior de la pantorrilla; si es necesario, elimine cualquier residuo que pueda impedir la adhesión adecuada del Velcro, cámbielo según sea necesario.
- Confirme que las correas inferiores y los remaches no estén desgastados, reemplácelos según sea necesario.
- Confirme la funcionalidad de la hebilla y el anillo partido de las correas inferiores, asegúrese de que no haya óxido presente, reemplace según sea necesario.
- Confirme que el perno de ojo de la correa del pie esté asegurado al estribo de la pierna; si lo encuentra suelto, retire el perno de ojo e inspeccione las roscas, limpie las roscas, aplique Loctite y vuelva a apretar.
- Si las roscas de los pernos de ojo están peladas, reemplácelas con un perno de ojo nuevo.
- Confirme que los vástagos de aluminio no tengan grietas ni deformaciones, cámbielos según sea necesario.
- Confirme que los garfios no contengan grietas, deformaciones ni desgaste significativo. Revise el procedimiento de inspección de gaff.
- Confirme que los tornillos de gancho estén correctamente asegurados a la plancha de la pierna, vuelva a apretarlos según sea necesario (se recomienda el uso del adhesivo Loctite para garantizar la seguridad adecuada del hardware), reemplace conforme se necesite