

RP060 Small Single Prussik Pulley

Data Sheet

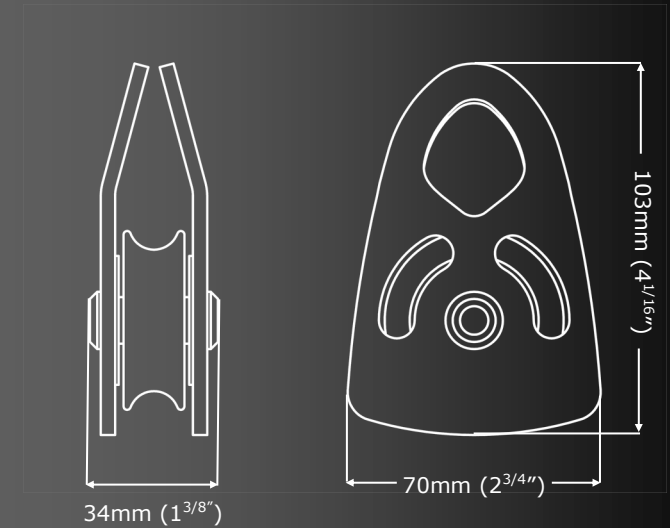


Bushings
Ideal for high loads
at low speed



Roller Bearings
Ideal for low loads
at high speed

ISC Prussik Pulleys have tamper-proof Rivets, in compliance with CE EN12278 (2007) & NFPA (1983). These pulleys are available with Bushings, or Roller Bearings.



Weight	214g (8oz)
Body Material	Aluminium
Wheel Material	Aluminium
Finish	Anodised
Rope Size	Max 13mm (1/2")
MBS	40kN (8992lbf)