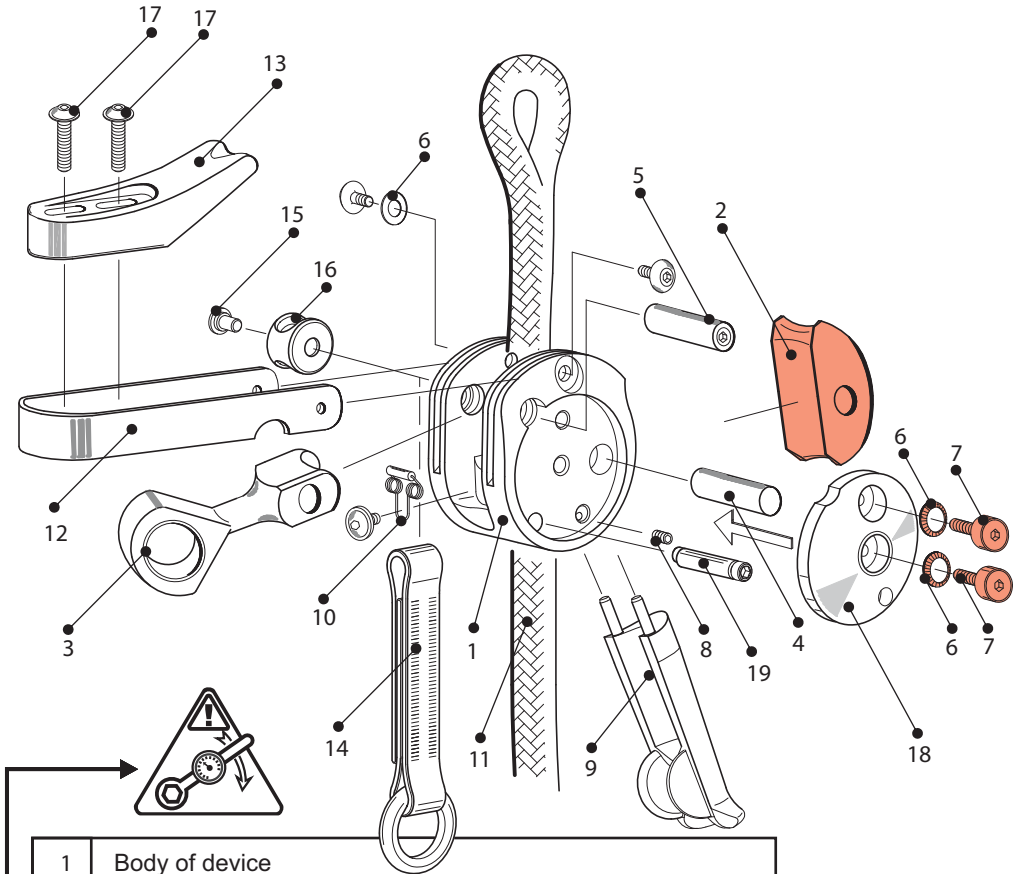


Spiderjack 2.1 Dyneema:



1	Body of device	
2	Friction clutch	
3	Carabiner take up	
4	Bearing bolts for friction clutch	
5	Bearing bolts for carabiner take up	
6	Washer	
7	Safety screw	3-4 Nm / 26,5-35,4 IN-Lbs
8	Safety screw for release lever	3-4 Nm / 26,5-35,4 IN-Lbs
9	Release lever	
10	Spring with retaining screw	2,5-3 Nm / 22,1-26,5 IN-Lbs
11	Rope	
12	Tray for wooden brake block	
13	Wooden brake block	
14	Dyneema sling	
15	Retaining screw for Dyneema adapter	4 Nm / 34,5 IN-Lbs
16	Adapter for Dyneema sling	
17	Retaining screw for wooden brake block	2,5-3 Nm / 22,1-26,5 IN-Lbs
18	Cover	
19	Wear bolt	