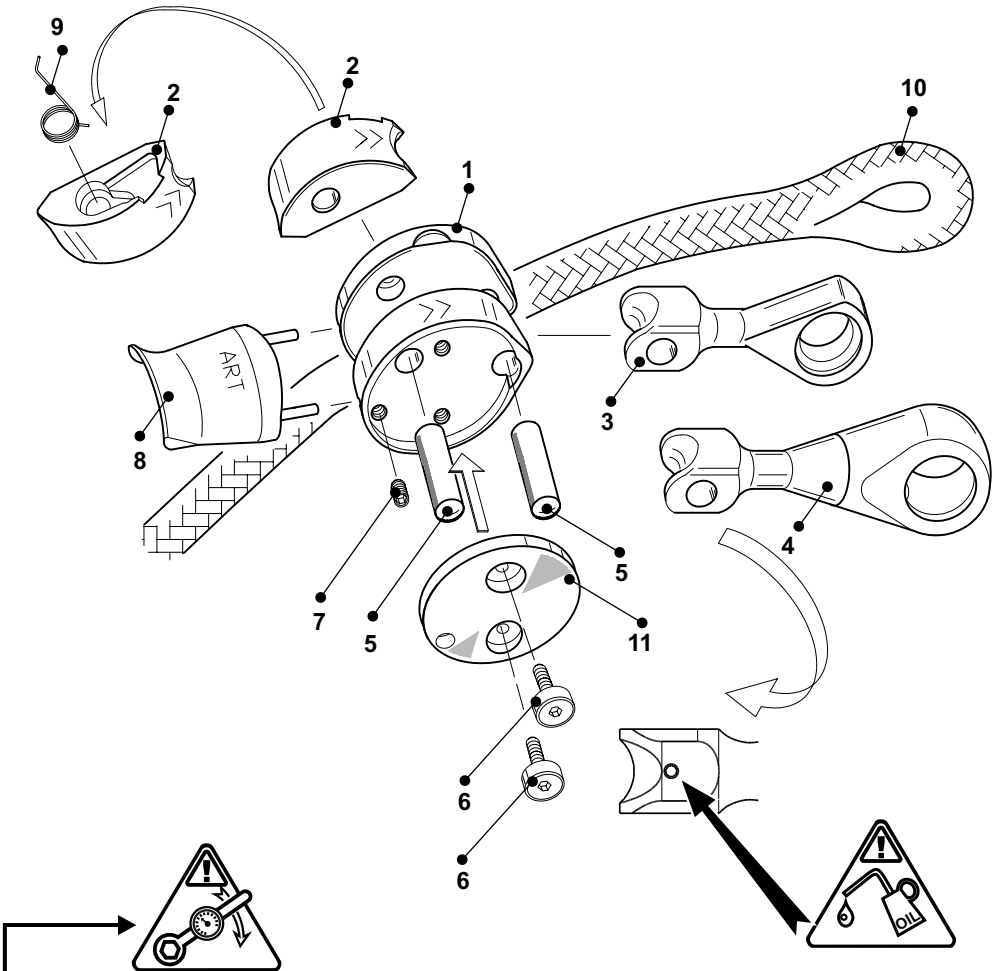


Positioner:



1	Body of equipment	
2	Friction clutch*	
3	Carabiner take up	
4	Swivel carabiner take up	
5	Bearing bolts	
6	Safety screw	3-4 Nm / 26,5-35,4 IN-Lbs
7	Safety screw for release lever	3-4 Nm / 26,5-35,4 IN-Lbs
8	Release lever	
9	Spring	
10	Rope	
11	Cover	

* Friction clutch "S" for sheathed steel rope, with outer dimension: 12-13 mm