



RP205 Large Ropegrab with Pip Pin Axle

Data Sheet

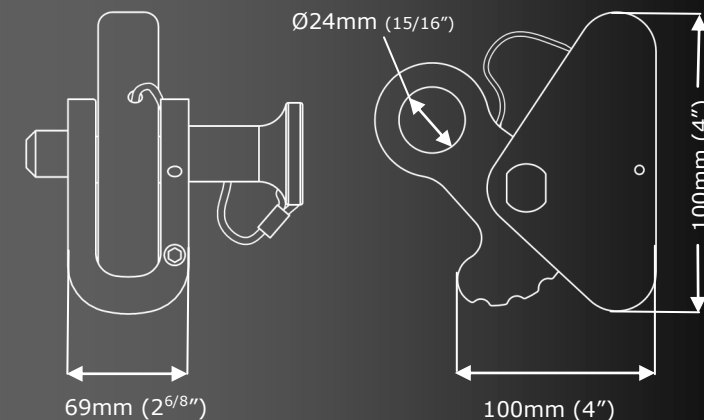


ISC Ropegrabs have a non-aggressive cam-face design which helps prevent rope wear.



The RP205 Ropegrab has a Pip Pin Axle, allowing the Ropegrab to easily be fitted or removed from the working rope line at anytime, without the need for the user to detach from their Harness.

The Pip Pin is a 'push-button' device, which allows the user to quickly and efficiently secure the device during use.



Weight	303g (11oz)
Body Material	Aluminium
Finish	Anodised
Rope Size	14-16mm (9/16-5/8")
MBS	Dependant on rope type